

**OPERATOR'S MANUAL  
AND PARTS LIST  
MODEL GRTMP16 MINI AIR NAILER**



Distributed By

**PRIME**SOURCE<sup>®</sup>  
BUILDING PRODUCTS, INC.

*An Itochu Company*

[www.grip-rite.com](http://www.grip-rite.com)

## TABLE OF CONTENTS

---

TABLE OF CONTENTS -----	2
SPECIFICATIONS -----	3
SAFETY -----	4
TOOL PARTS -----	6
PARTS DESCRIPTION -----	7
LOADING NAILS -----	8
OPERATION -----	9
PARTS SCHEMATIC -----	10
PARTS LIST -----	11
MAINTENANCE -----	12
TROUBLESHOOTING -----	13
WARRANTY -----	14

## SPECIFICATIONS

---

### SPECIFICATIONS

MODEL	GRTMP16
FASTENER LENGTH	Nails up to 16d
FASTENER HEAD DIA.	5/16" (8 mm)
NAIL TYPE	Hand Driven
MAX AIR PRESSURE	110 psi (7.6 bars)
MIN AIR PRESSURE	60 psi (4 bars)
TOOL WEIGHT	1 lbs. (.45 kg)
TOOL LENGTH	4" (101.6 mm)
TOOL HEIGHT	2.75" (69.9 mm)
TOOL WIDTH	2.19" (55.6 mm)
TRIGGER TYPE	AUTO
AIR CONNECTION	QUICK CONNECT
LUBRICATION	10W Air Tool Oil (Provided)

### IMPORTANT SAFETY INFORMATION

You must read this entire manual and familiarize yourself with all safety, operating, and service instructions before loading, handling, or using your tool. When used correctly, pneumatic fastening tools provide a lightweight, powerful, and safe means of fastening. Used improperly, these tools can cause serious injury to you and those around you.

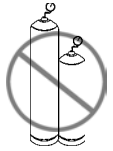
## SAFETY INSTRUCTIONS

**WEAR SAFETY GLASSES**

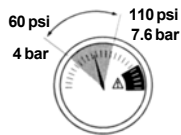
Always wear safety glasses with side shields that meet ANSI Z87.1 requirements when operating the tool. Make sure all others in work area wear safety glasses.

**WEAR HEARING PROTECTION**

Wear hearing protection to protect your hearing from noise. Prolonged exposure to loud noise can result in hearing loss.

**NEVER OPERATE THE TOOL WITH OXYGEN OR OTHER BOTTLED GASES**

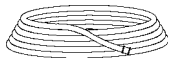
Oxygen and other reactive or high-pressure bottled gases can cause the tool to explode. Use clean, dry regulated compressed air from a properly operating air compressor.

**DO NOT EXCEED MAXIMUM RECOMMENDED OPERATING AIR PRESSURE OF 110 PSI/7.6 Bar.**

Exceeding the maximum recommended air pressure can cause the tool housing to burst, or cause premature failure of components.

**NEVER CONNECT THE TOOL TO AN AIR SUPPLY THAT HAS THE POTENTIAL TO EXCEED 180 PSI/12.4 Bar.**

Using a regulated air supply with a line or tank pressure greater than 180 psi can cause the tool to burst if the air line regulator fails suddenly.

**USE AN AIR HOSE RATED FOR 180 PSI/12.4 Bar OR GREATER**

Always use air hose rated to handle 180 psi or the maximum potential pressure of the air supply.

**DO NOT ATTEMPT TO OPERATE THE TOOL IF THE TOOL'S OPERATING CONTROLS HAVE BEEN MODIFIED OR ARE NOT WORKING PROPERLY.**

Attempting to use a tool with modified or malfunctioning trigger or workpiece contact can result in a fastener being driven unintentionally.

**USE CORRECT FASTENERS**

Only use the correct fastener for the tool. Using fasteners with incorrect specifications can jam the tool or cause serious injuries.

## SAFETY INSTRUCTIONS

**USE THE CORRECT FASTENERS FOR THE APPLICATION.**

Using the wrong fasteners can cause the workpiece to split and allow the fastener to fly free.

**DO NOT DEPRESS TOOL NOSE WHEN LOADING FASTENERS**

Depressing the tool nose during loading can result in tool actuation and an unintentional fastener drive

**AVOID DRIVING FASTENERS INTO KNOTS, ON TOP OF OTHER FASTENERS, AT WORKPIECE EDGES, OR INTO BRITTLE MATERIALS.**

Driving fasteners into extremely hard materials, or driving into workpiece edges, can cause fasteners to deflect away from the workpiece. Flying fasteners can cause serious injuries.

**KEEP HANDS AND BODY PARTS AWAY FROM AREA BEING FASTENED.**

Fasteners can deflect and turn as they are being driven into the workpiece, and penetrate fingers, hands, and other body parts that may be in the fastening area.

**DO NOT OVERREACH OR WORK WHILE ON UNSTABLE FOOTING**

If you lose your balance while fastening, you could drive a fastener into yourself or a bystander.

**DO NOT USE TOOL IF TOOL MALFUNCTIONS OR BEGINS LEAKING AIR.**

Operating a malfunctioning tool can result in an injury to yourself or others.

**DISCONNECT THE TOOL FROM THE AIR SUPPLY TO PERFORM MAINTENANCE.**

Never attempt to reload a tool, clear a jam, or perform maintenance without first disconnecting the air supply.

**NEVER LEAVE A PRESSURIZED TOOL UNATTENDED**

A pressurized tool could be picked up or handled by someone who is unfamiliar with the tool or that has not read the tool manual.

**KEEP TOOLS OUT OF THE REACH OF CHILDREN**

Place the tool back in the tool box after use, and store the tool out of reach.

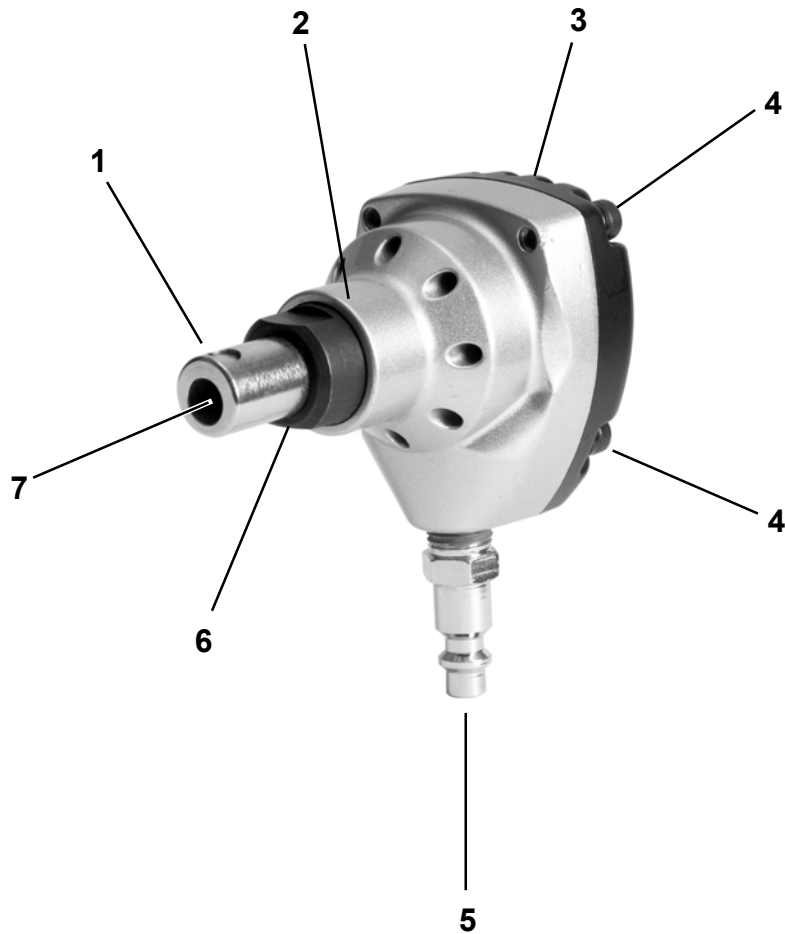
**DO NOT MODIFY TOOL**

Modifications can cause a tool to be unsafe and can cause the tool to operate improperly.

## DESCRIPTION

---

### TOOL PARTS



## DESCRIPTION

---

### PART DESCRIPTIONS

1. **Nail Guide** - Narrow profile design permits accurate nail placement.
2. **Tool Body** - Contains nail driver parts and acts as a handgrip.
3. **Tool Cap** - Covers nail driver assembly.
4. **Cap Screw** - Secures cap to tool body
5. **Air Coupling** - Quick-disconnect male coupling allows quick connection to air hose.
6. **Guide Box** - Secures Nail Guide.
7. **Magnetic Nail Holder** - Helps keep nail in place while positioning nailer for driving.

**Metric Hex Wrench** - Included with tool to allow tightening of metric screws. Keep tools in tool case for periodic tightening of screws.

**Air Tool Oil** - Lightweight oil formulated for use in air tools provides proper lubrication to o-rings and internal parts.

## OPERATION

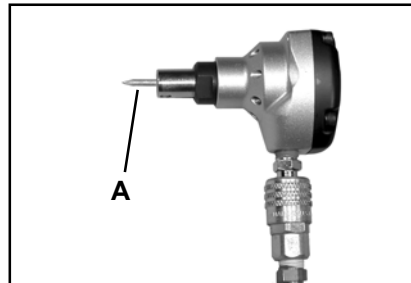
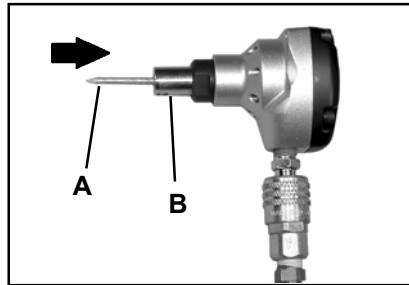
### LOADING FASTENERS

#### LOADING INSTRUCTIONS

#### WARNING

The model GRTMP16 Air Nailer is automatically actuated when the nail in the nose is pressed against the work surface. The nailer continues to deliver multiple hammer blows until the nail is fully driven, or tool is lifted off work surface. Never press tool nose down unless it has been properly positioned to drive a nail into a safe work surface.

1. Connect tool to air supply using quick-connect coupling.
2. Insert nail (A) into guide (B), head first. DO NOT press nail into guide forcefully, or nailer may begin operating. Magnetic holder helps keep nail in place while positioning nailer for driving.
3. Tool is now loaded and ready to drive the nail into the desired work surface.



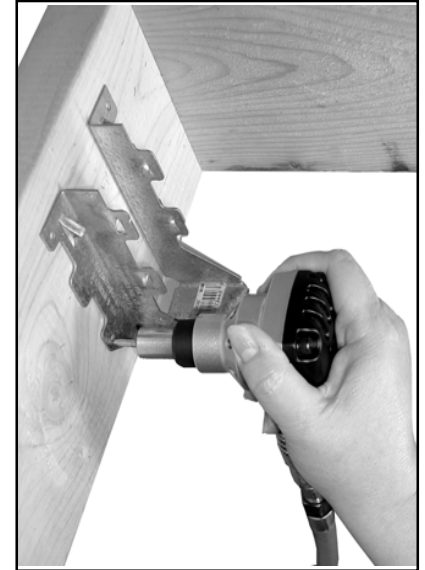
## OPERATION

### OPERATION

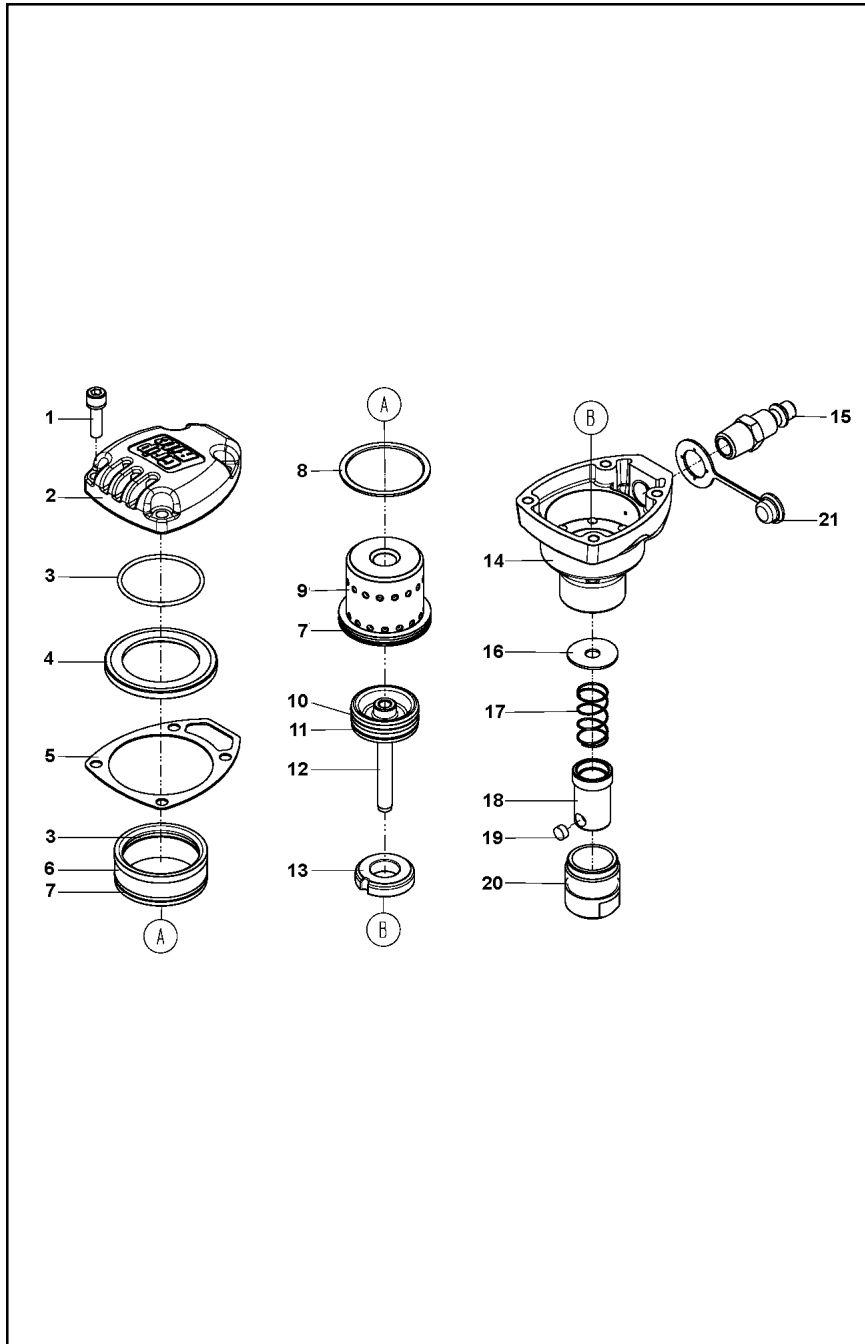
1. Hold the tool securely using the housing as a handgrip. Do not depress tool nose until tool is in driving position and you are ready to drive a nail.
2. Position the nail on the workpiece, placing the nail point in driving position at the desired driving location.

**IMPORTANT** - If nail is being driven to secure a joist hanger or other metal connector, make sure nail point is centered in punched hole in connector.

3. Press the tool firmly to begin driving the nail, and continue pushing until the nail is fully driven. Use firm, steady pressure.
4. After the nail is fully driven, lift the tool off of the work surface.
5. Reload the nailer, and place the tool in position for the next nail to be driven.
6. Repeat steps 1 through 5 until all desired nails have been driven.
7. Use Grip-Rite™ nails for best results.
8. Increase air pressure to drive into harder materials. Reduce air pressure to drive into softer materials. For longest tool and part life, always use the lowest air pressure necessary to drive fasteners.
9. Disconnect tool from air supply when nailing is completed.



# PARTS SCHEMATIC



# PARTS LIST

ITEM#	PART #	DESCRIPTION	Q'TY
1	GRBN367	Bolt Assy	4
2	GRBN368	Cap	1
3	GRBN369	O - Ring	2
4	GRBN370	Collar	1
5	GRBN371	Cylinder Cap Seal	1
6	GRBN372	Cylinder Spacer	1
7	GRBN373	O - Ring	2
8	GRBN374	Seal	1
9	GRBN375	Cylinder	1
10	GRBN376	O - Ring	1
11	GRBN377	O - Ring	1
12	GRBN378	Driver Unit	1
13	GRBN379	Bumper	1
14	GRBN380	Gun Body	1
15	GRBN381	Air Plug	1
16	GRBN382	Wave Washer	1
17	GRBN383	Spring	1
18	GRBN384	Rod	1
19	GRBN385	Magnet	1
20	GRBN386	Deep Impact Socket	1
21	GRBN387	Air Plug Cap	1

## SPECIAL KITS

A	GRDAK1500	Driver Assembly Kit	1
B	GRRBK1500	Rebuild Kit	1
C	MANMP16	Operators Manual	1

## MAINTENANCE

 **DANGER**

Always disconnect tool from air supply before performing any service on tool. Correcting a problem while the tool is pressurized may result in injury from nail drive or tool operation.

Your tool will last longer and perform better if periodic maintenance is performed. Please use the information below to keep your tool operating in top condition.

### Lubrication

Disconnect tool from the air supply. Apply three drops of air tool oil (provided) in the air inlet before each use, and after every 1000 fasteners driven. If the tool will be used outside in the winter, use a winter grade air tool oil to help keep frost from forming inside the tool. Do not use other types of lubricants on this tool, as other lubricants may contain chemicals harmful to o-rings and other tool components.

### Cleaning

Disconnect tool from the air supply. Brush tool off using a parts cleaning brush or clean rag.

### Daily Inspection

- Check for broken, damaged, or excessively worn parts, and repair or replace as needed.
- Check for air leaks at cap, and nose. Disconnect tool from air supply immediately if leaks are present, and see dealer for service.
- Make sure all screws are tightened securely.

## TOOL TROUBLESHOOTING

 **DANGER**

Always disconnect tool from air supply before performing any service on tool. Correcting a problem while the tool is pressurized may result in injury from nail drive or tool operation.

Your pneumatic fastening tool has been designed for long life and trouble-free operation. However, if operating problems arise, please use the troubleshooting information below to determine how to remedy the problem.

### FASTENER DRIVING PROBLEMS

PROBLEM	CORRECTIVE ACTION
Fasteners do not drive completely.	Increase air pressure. Do not exceed 110 psi (7.6 bars). Add 2 - 3 drops of air tool oil to inlet.
Fasteners do not drive completely after air pressure is increased.	Driver blade worn or broken. See dealer for replacement.
Tool leaks air.	Check for source of leak, and tighten fittings and screws as required. Discontinue using tool if air leaks after tightening. Contact your dealer.

**PNEUMATIC TOOL/COMPRESSOR WARRANTY**

Pneumatic nailers, staplers & compressors marketed under the **GRIP RITE™** brand are warranted to be free from defects in workmanship & materials (except rubber o-rings, bumpers, seals, driver blades, dipsticks, & air filters) for a period of one year from the date of original purchase.

This warranty will not apply when:

- The original receipt (or copy of the original receipt), showing the original purchase date, is not provided with tools/compressors sent in for warranty repair
- The tool/compressor has been misused, abused or improperly maintained
- Alterations have been made to the original tool/compressor
- Repairs have been attempted/made to the original tool/compressor by any entity other than a proprietary **GRIP-RITE®** service/warranty center or authorized service/warranty center
- Non- **GRIP-RITE TOOLS™ / GRIP-RITE COMPRESSORS™** parts have been used
- The tool has suffered any physical damage due to the use of non-**GRIP-RITE®** approved fasteners\*
- Repairs are required due to normal wear & tear
- The tool/compressor has been inadequately packaged leading to damage in-transit to the service/warranty center.

\*Approved fasteners include the following brands **GRIP-RITE FAS'NERS™, FAS'NERS UNLIMITED™**

IN NO EVENT SHALL **PRIMESOURCE®** BE LIABLE FOR ANY INDIRECT, ACCIDENTAL OR CONSEQUENTIAL DAMAGE FROM THE SALE OR USE OF THESE PRODUCTS. THIS DISCLAIMER APPLIES BOTH DURING & AFTER THE TERM OF WARRANTY.

THIS IS OUR WARRANTY & IS EXPRESSLY IN LIEU OF ALL OTHER WARRANTIES, EXPRESS OR IMPLIED, INCLUDING THE WARRANTIES OF MERCHANTABILITY AND FITNESS FOR A PARTICULAR PURPOSE (EXCEPT AS MAY BE OTHERWISE PROVIDED BY LAW).

THIS LIMITED WARRANTY GIVES YOU SPECIFIC LEGAL RIGHTS, AND YOU MAY ALSO HAVE OTHER RIGHTS, WHICH VARY, FROM STATE TO STATE.

**PNEUMATIC TOOL/COMPRESSOR SERVICE INFORMATION**

*Should any mechanical problems develop during the life of your equipment the following options are available for service and parts:*

- Call (800) 676-7777 where you will be routed to the nearest **GRIP-RITE®** distribution center and directed to the nearest authorized service/warranty center.
- Logging on to our website at **www.grip-rite.com** where you will find a list of our authorized service centers.
- Contact the **GRIP-RITE®** Factory Warranty Center directly at Phone: (800) 207-9259 or Fax: (800) 207-9614  
In Canada, Call (866) 512-1418

**STEPS TO TAKE WHEN SHIPPING TOOLS**

- Adequately package the product to avoid damage in-transit (in the case of pneumatic tools, the original blow mold plastic carrying case is considered adequate packaging).
- Provide the original/copy of receipt showing the original purchase date.
- Insure your shipment with the shipping company.

**PRIMESOURCE®** will not be responsible for any tool/compressor that is lost or damaged by the shipper on route to the **PRIMESOURCE®** service/warranty center.

**USE GENUINE GRIP-RITE®  
FASTENERS FOR BEST  
PERFORMANCE**



**PRIME SOURCE®**  
*BUILDING PRODUCTS, INC.*  
*An Itochu Company*  
**[www.grip-rite.com](http://www.grip-rite.com)**